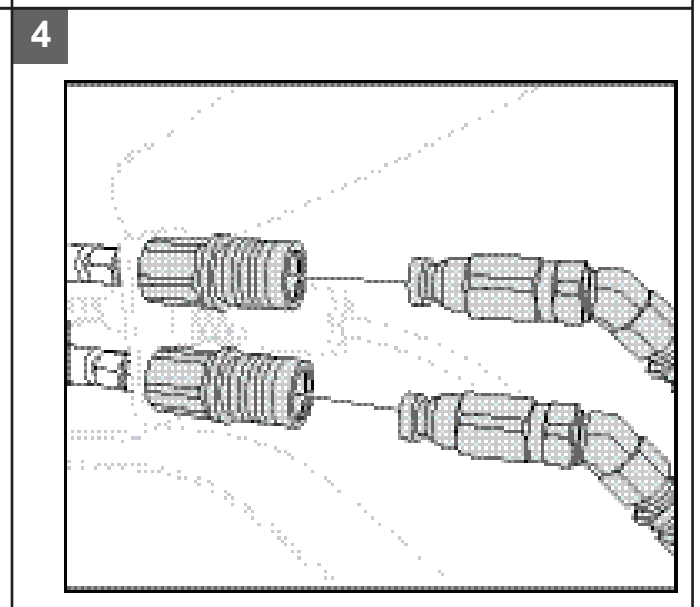
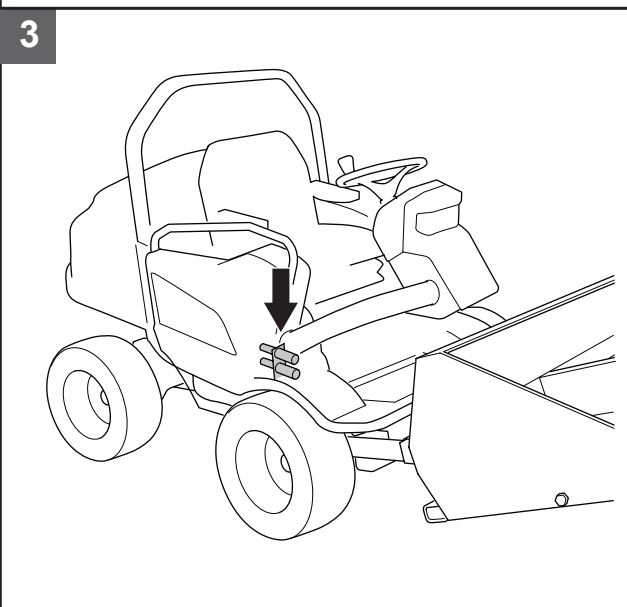
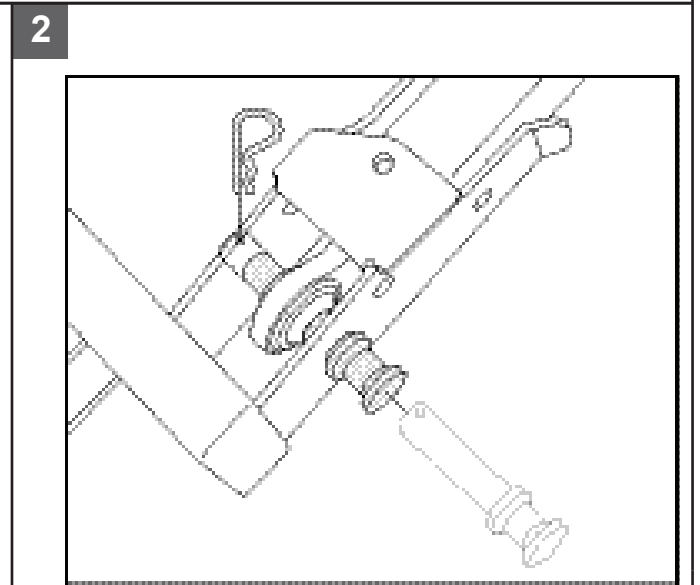
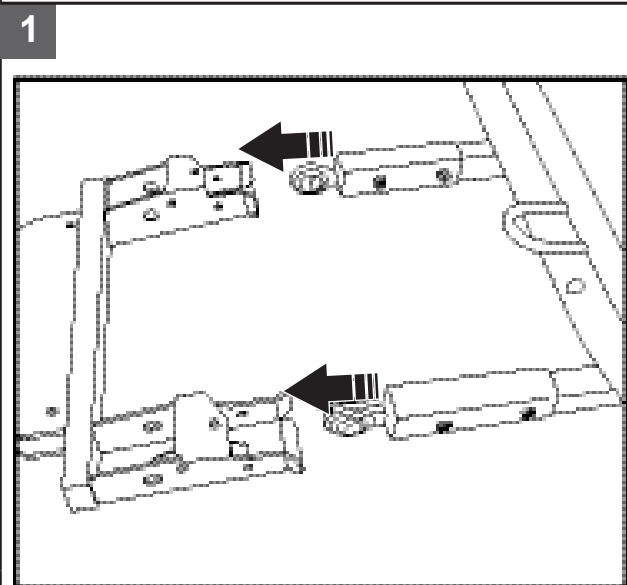
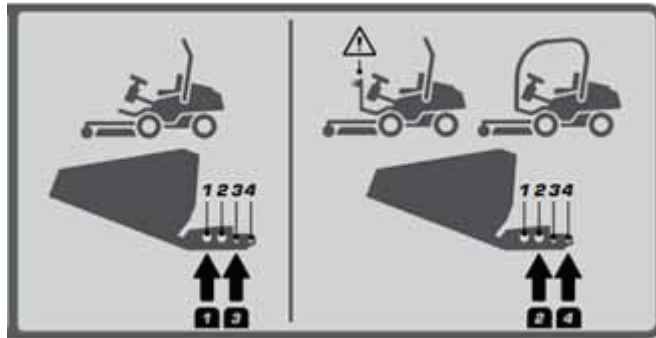
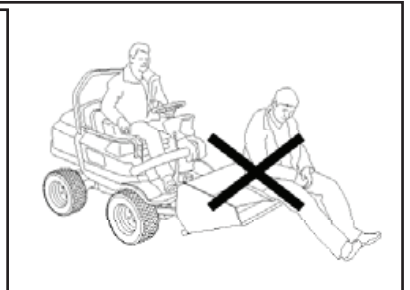
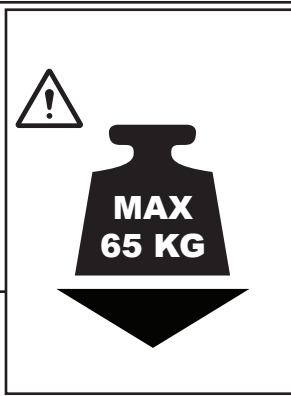
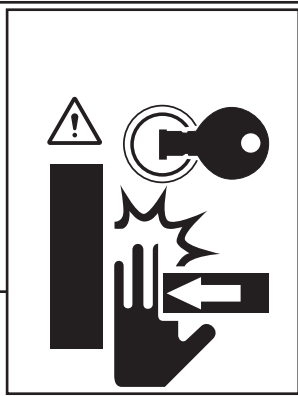
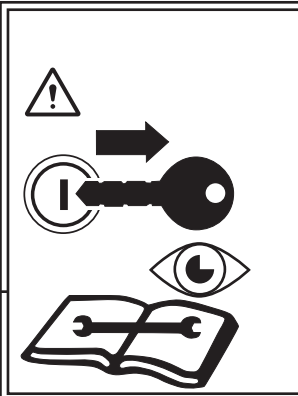
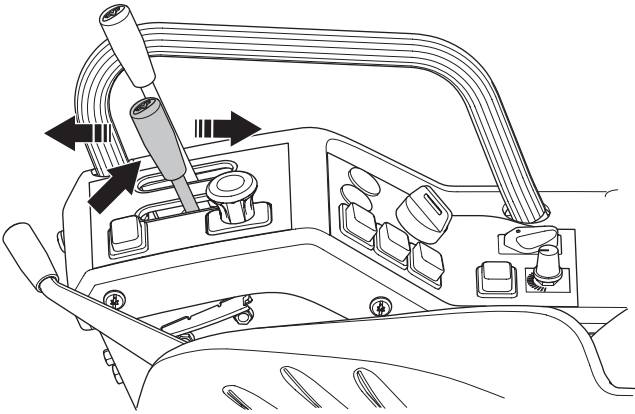


Operator's manual
UTILITY BUCKET FOR RIDER P500 HX/DX-series

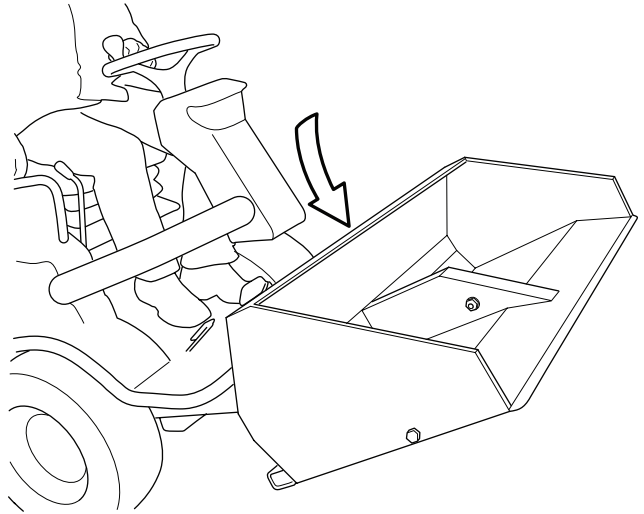
MADE FOR HUSQVARNA BY P. OLSSONS I LINDERÖD AB



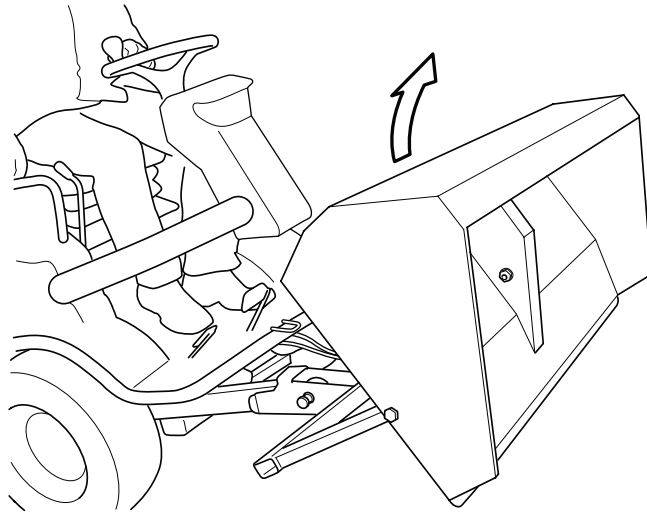
5



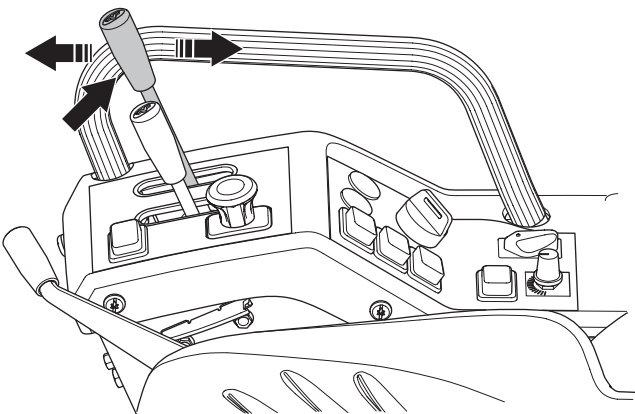
6



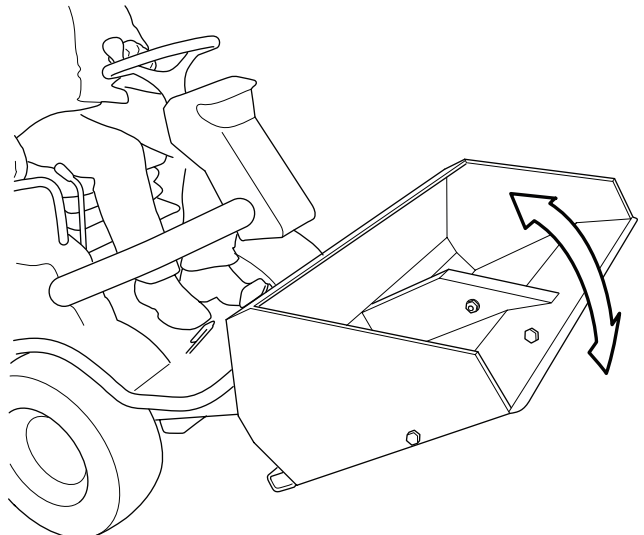
7



8

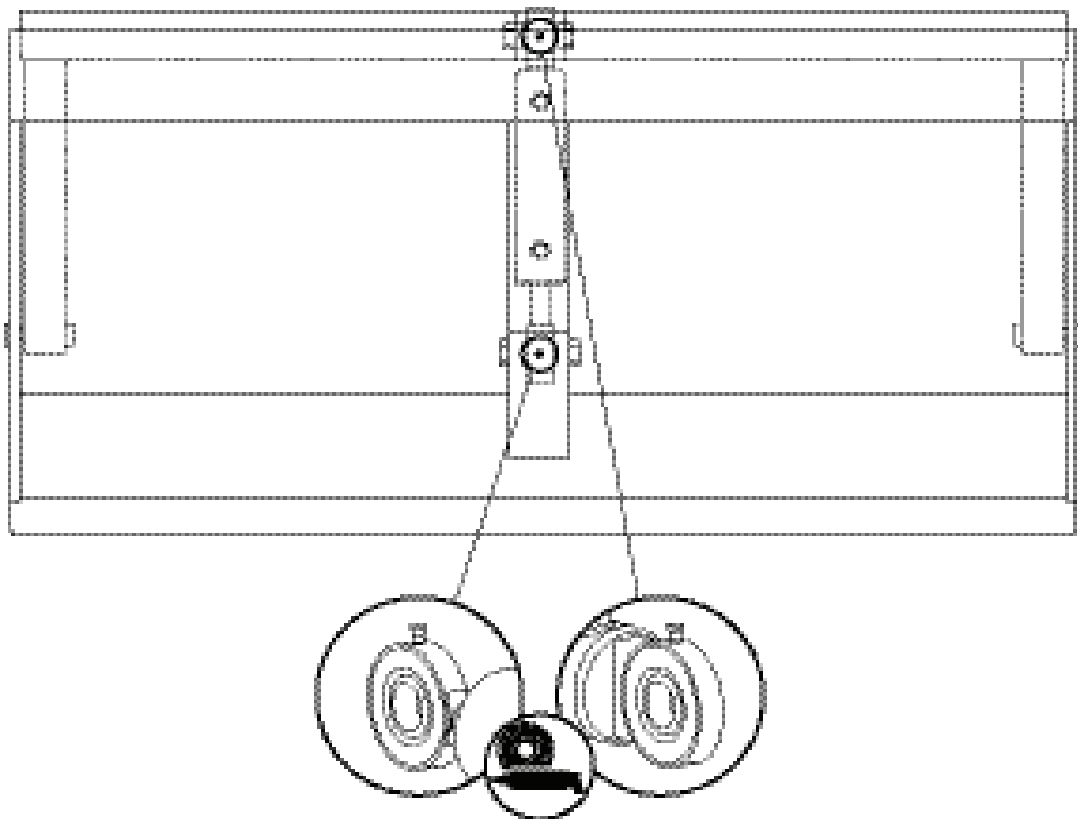
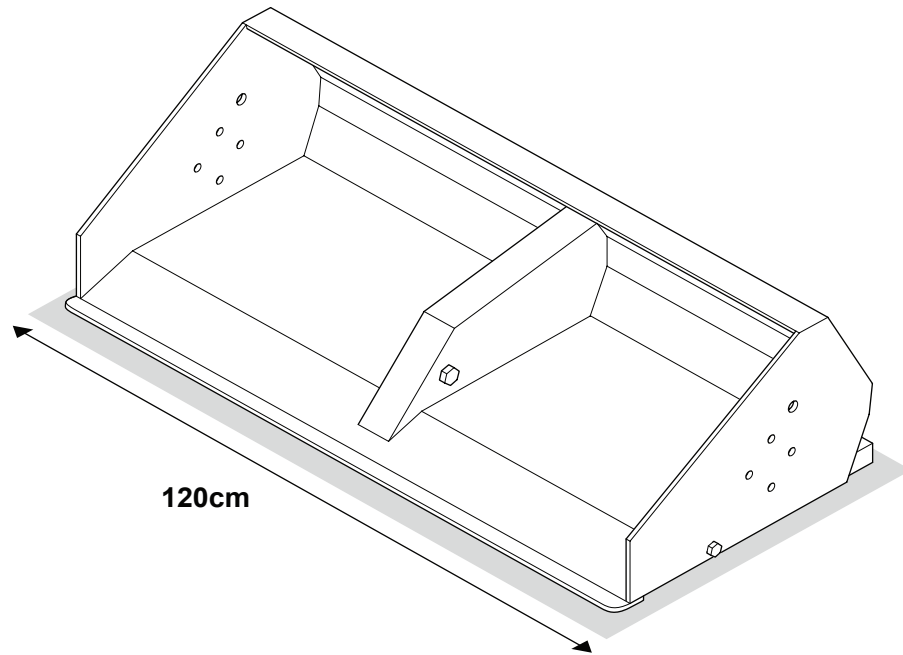


9




68 kg


Max 65 kg





Fjälkinge den
15 mars 2022

Ert datum

Vår beteckning/ref
587 93 25-01

Er beteckning/ref

CERTIFICATE

Manufacturer: P. Olssons i Linderöd AB, Steglitsvägen 6, 291 67 Fjälkinge hereby certifies that the machine type 587 93 25-01 conforms to the Machine Directive maskindirektivet 89-392-EEC, 91-368-EEC, 93-44-EEC with special reference to annex 1 of the directive concerning essential health and requirements in relation to design and manufacture.

Fjälkinge 2022-03-15

Ola Olsson